

V-TUF[®]



VTUF H1.005TT

SURFACE CLEANER -
V-TUF tufTURBO410
OPERATOR MANUAL



Please read this manual before using the VTUF H1.005TT

⚠ WARNING:

To reduce the risk of injury, user must read and understand the operator's manual for their pressure washer before using this accessory. Fits most pressure washers. Ensure compatibility and proper fit before using this accessory. Wear eye protection marked to comply with Z87.1. Risk of fluid injections. Do not point at people, pets, electrical devices or the unit itself. Turn off the pressure washer before changing or adjusting accessories. For cold water use only. Save these instructions. Refer to them frequently and use them to instruct other users. If you loan someone this tool, loan them these instructions also.

PRODUCT SPECIFICATIONS

- V-SPIN - High Speed Swivel Technology
- Inlet stainless steel swivel for cleaning from any angle
- 16" 410mm Wide Stainless-Steel Cleaning Deck
- 4000 PSI / 275 BAR - Max Pressure
- 40 L/MIN Max Flow
- 150°C Max Temperature - Works with Soft Wash Kit
- Compatible with the V-TUF DuraKLIX SSQ Quick-Release Coupling Cleaning System

No assembly required – just connect to a pressure washer lance as shown in H1.005TT_4, H1.005TT_5

⚠ WARNING:

To reduce the risk of injection or injury, only use the surface cleaner on flat, horizontal surfaces. Never lift the surface cleaner from the cleaning surface while operating the pressure washer.

USING THE SURFACE CLEANER

See Figure 5.

- Attach the high pressure gun of your pressure washer to the inlet plug on the surface cleaner.
- Connect the garden hose to your pressure washer and start the pressure washer as described in your pressure washer manual.
- Walk slowly behind the cleaning deck, cleaning as you go.

NOTE: If striping or swirling occurs, slow your pace. If striping or swirling continues, the surface cleaner skirt bristles may be worn and in need of replacement.



Figure 5.

⚠ CAUTION:

Striking any raised obstacle while using the surface cleaner will damage the unit. If contact does occur and causes vibration when operating the pressure washer, stop and replace the spray bar. Continuing to operate the unit without replacing the spray bar could result in serious injury or damage to the unit.

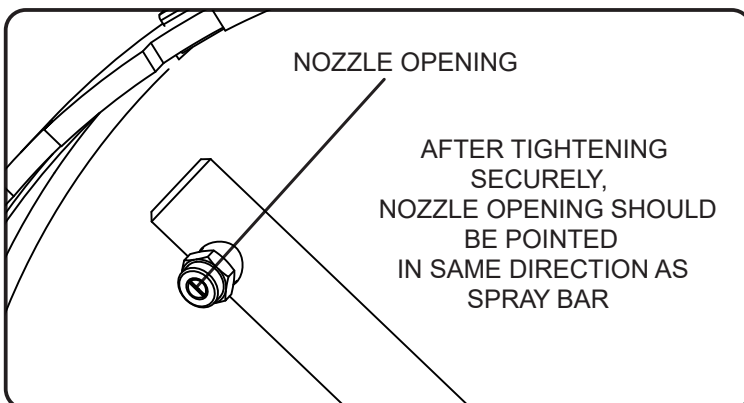
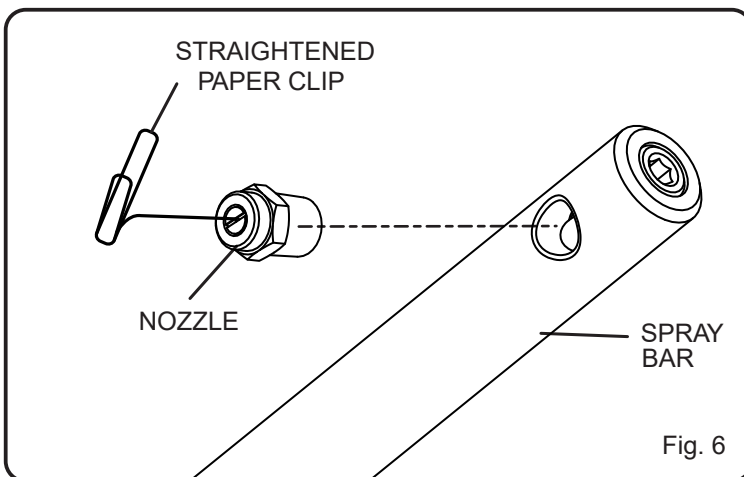
NOTE: See figure 6 for the location of the spray bar.

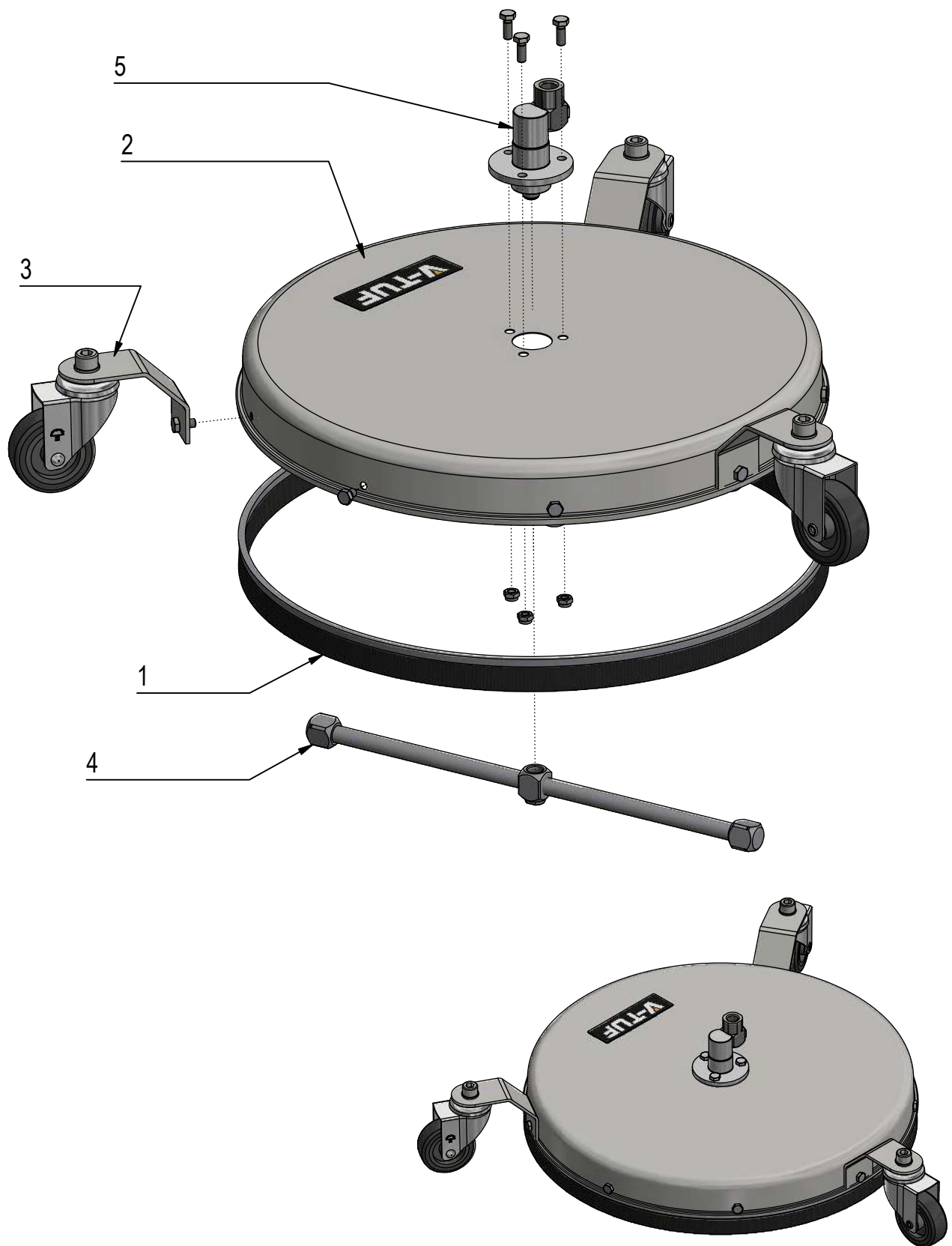
NOZZLE MAINTENANCE

See Figure 6.

Excessive pump pressure (a pulsing sensation felt while squeezing the trigger) may be the result of a clogged or dirty nozzle.

- Turn off the pressure washer and shut off the water supply. With the surface cleaner on the ground, pull trigger to release water pressure.
- Disconnect surface cleaner from high pressure Lance.
- Using a wrench (not provided), remove the nozzle from the spray bar.
NOTE: Never point the spray bar at your face.
- Using a straightened paper clip or nozzle cleaning tool (not provided), free any foreign materials clogging or restricting the nozzle.
- Using a garden hose, flush debris out of nozzle by back flushing (running the water through the nozzle backwards or from the outside to the inside).
- Reconnect the nozzle to the spray bar and tighten securely. After tightening, make sure the nozzle opening is pointed in the same direction as the spray bar as shown in figure 4.
- Reconnect the high pressure hose to the spray wand.
- Turn on the water supply and start the pressure washer.





| ITEM | CODE | DESCRIPTION | QTY |
|-------------|-------------|---|------------|
| 1 | VTSC123 | SURFACE CLEANER - 410 BRUSH RING FOR H1.005TT | 1 |
| 2 | VTSC133 | SURFACE CLEANER - 410 STAINLESS STEEL HOOD FOR H1.005TT | 1 |
| 3 | VTSC100 | SURFACE CLEANER - CASTOR WHEEL With Bracket For H1.005TT | 1 |
| 4 | VTSC143 | SURFACE CLEANER - ROTOR ARM FOR H1.005TT | 1 |
| 5 | VTSC171 | SURFACE CLEANER - SPINNER BODY with Toggle Swivel For H1.002TT & H1.005TT | 1 |



www.V-TUF.COM

Manufacturer

V-TUF, Unit 5 Chris Sharp Building, Till Bridge Lane,
Scampton, Lincoln, LN1 2SX UK

Authorised Representative Established in the EU

Flexrep EU OÜ, Attn: E-Residency Hub,
Ahtri tn 12, 10151 Tallinn, Estonia